

TL60 LED

## Multipurpose luminaire surface, watertight



- Seawater resistant aluminium housing
- Long and short version available
- Compact and slim design

### Application

For areas like car decks, engine rooms and other demanding applications such as extreme weather conditions at sea

### Design

According to rules of maritime classification societies, additional VDE and IEC/EN

### Housing

Seawater resistant aluminium

### Finish

Grey anodized

### Diffuser

Polycarbonate soft opal

### Electric

Flexible wiring heat resistant up to 105°C; Through wiring available

### Light source

LED

### Mounting

Mounting options with different mounting brackets; on request

### Cable entry

Cable entry 2xM25x1.5 polyamide D7-17mm and blind plugs 2xM25x1.5 polyamide

### Termination

Terminal 3-pole/6 mm<sup>2</sup>

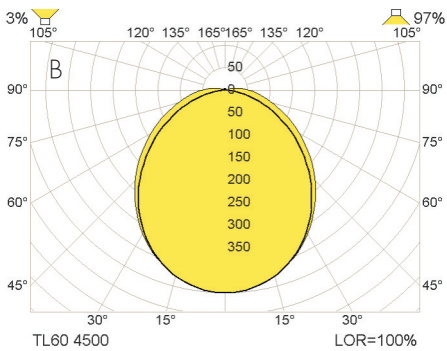
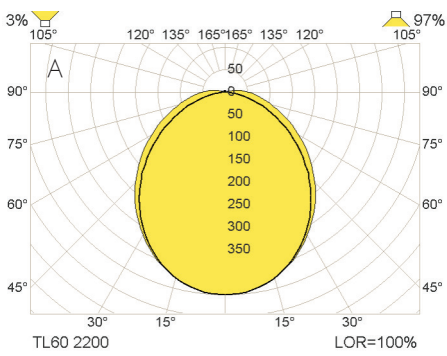
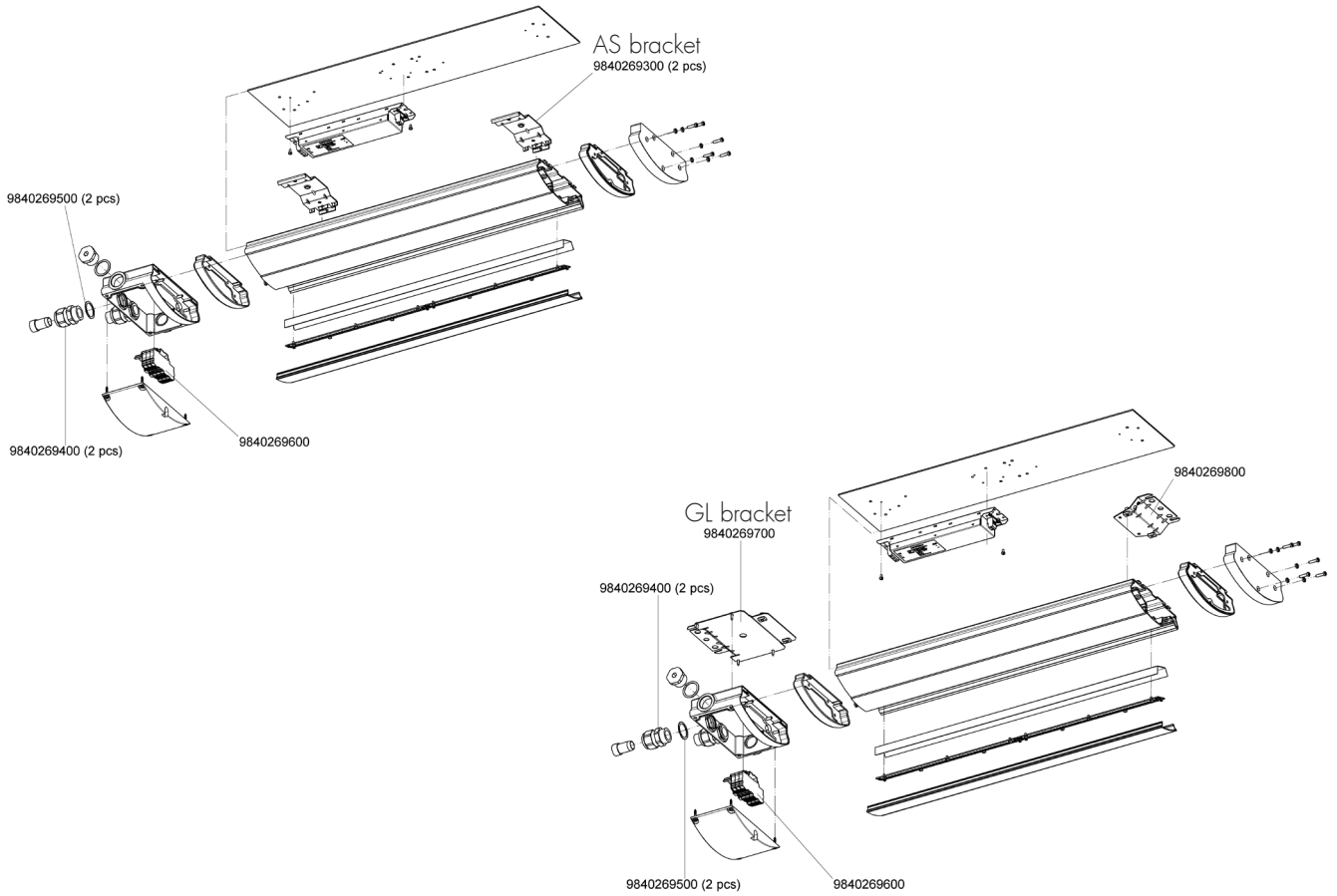


More variants are available on request. Complete assortment on [www.glamox.com/gmo](http://www.glamox.com/gmo).

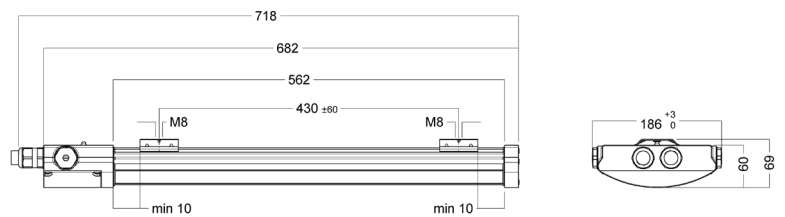
Product	Part-No. 110-240V 50/60Hz	Part-No. 230V 50/60Hz (Emergency 3h)	Weight kg	Lamp Code	Light Distr.
<b>TL60 2200 840 110-240 M25 AS</b>	TL60404001		3.6	LED 2200 lm	A
<b>TL60 2200 840 110-240 M25 GL</b>	TL60404002		3.6	LED 2200 lm	A
<b>TL60 2200 840 110-240 HFDa M25 AS</b>	TL60404003		3.6	LED 2200 lm	A
<b>TL60 2200 840 110-240 HFDa M25 GL</b>	TL60404004		3.6	LED 2200 lm	A
<b>TL60 2200 840 230 HFE3 M25 AS</b>		TL60424005	4.8	LED 2200 lm	A
<b>TL60 2200 840 230 HFE3 M25 GL</b>		TL60424006	4.8	LED 2200 lm	A
<b>TL60 4500 840 110-240 M25 AS</b>	TL60704001		6.5	LED 4500 lm	B
<b>TL60 4500 840 110-240 M25 GL</b>	TL60704002		6.5	LED 4500 lm	B
<b>TL60 4500 840 110-240 HFDa M25 AS</b>	TL60704003		6.5	LED 4500 lm	B
<b>TL60 4500 840 110-240 HFDa M25 GL</b>	TL60704004		6.5	LED 4500 lm	B
<b>TL60 4500 840 230 HFE3 M25 AS</b>		TL60724005	7.8	LED 4500 lm	B
<b>TL60 4500 840 230 HFE3 M25 GL</b>		TL60724006	7.8	LED 4500 lm	B

AS = AS bracket; GL = GL bracket -> see drawings under Spare Parts / Accessories

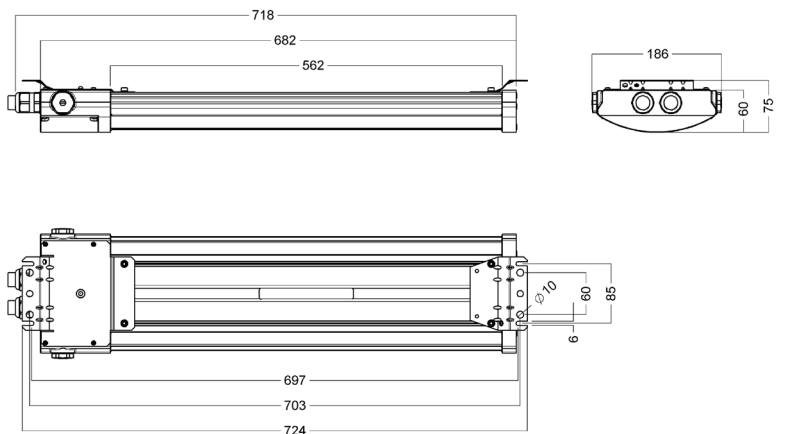
Spare Parts / Accessories



AS bracket



GL bracket



Measurements are in mm