

TX60 LED

Innovative zone 1 LED luminaire



TX60 4500



TX60 4500
emergency



TX60 2200



TX60 2200 TW

Description

Glamox sets a new standard for reduced cost of ownership with-in the oil & gas industry with TX60 LED for Ex zone 1 applications. Its design is perfect for use in harsh areas, with an impressive temperature range down to -50°C up to +55°C.

Replacement

TX60 LED can be used as a direct replacement for the T8 fluorescent fitting. No new lighting calculations are needed. The mounting fixings can easily replace most T8 hazardous fittings on the market due to the flexible design.

Technology

The advanced IC driver technology is class leading and offer 100 000 hrs at +45C with no system lifetime limitations. The fixture has an impressive temperature range from as low as -50C up to +55C.

TX60 LED will ensure a safe and high visual working environment for personnel due to its high quality colour rendering.

Watch the movie!

TX60 LED

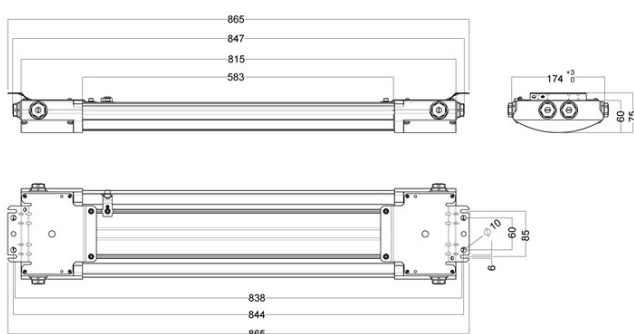
Innovative zone 1 LED luminaire

Technical description

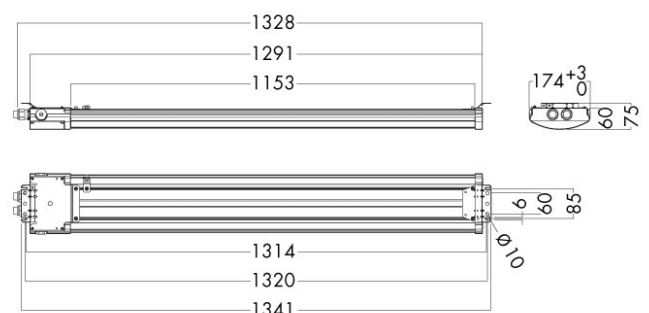
Mounting	Mounted to the ceiling or cable trays by screws. Different screwed mounting brackets, shock mounts or triangles are available, mounting distance adjustable.
Connection	Connection box with 2 certified cable glands M25 polyamide D7-17mm and blind plugs M25 polyamide. Versions with through wiring with 2 connection boxes, one each end. Terminals for 6 mm ² core diameter
Electric	High quality IC driver without inrush current. Flexible wiring heat resistant up to 105°C. Versions with through wiring and emergency are available.
Housing	Seawater resistant, anodized aluminium housing
Lightsource/Optic	Designed in two length with 2200 or 4500 lumen output from the fixture, Led's are covered by soft opalic polycarbonate diffuser.

Application	For all zone 1 and zone 2 areas in onshore and offshore demanding applications.
Design	According to rules of maritime classification societies, additional VDE and IEC/EN
Ambient Temperature	Operation from -50°C* up to +55°C Emergency version is charging and discharging down to -40°C with 1.5h or 3h emergency duration * The luminaire with big connection box (emergency and TW) has to be installed protected against mechanical loads, if the ambient temperature is below -25°C
Finish	Grey anodized

Measurement drawings



Example for TX60 2200 GL

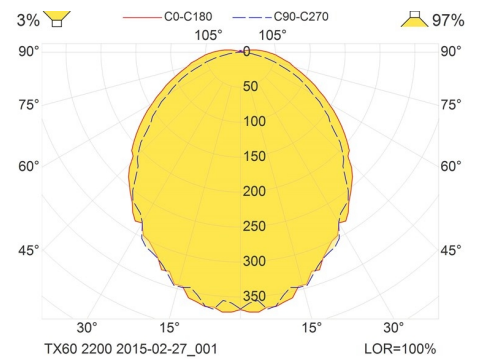
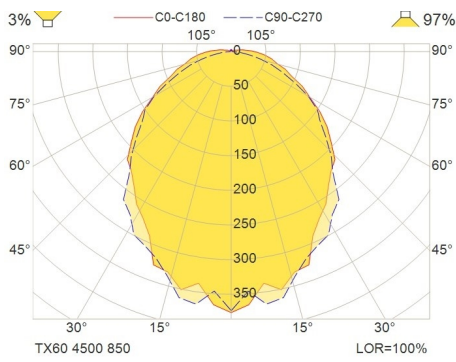


Example for TX60 4500 GL

TX60 LED

Innovative zone 1 LED luminaire

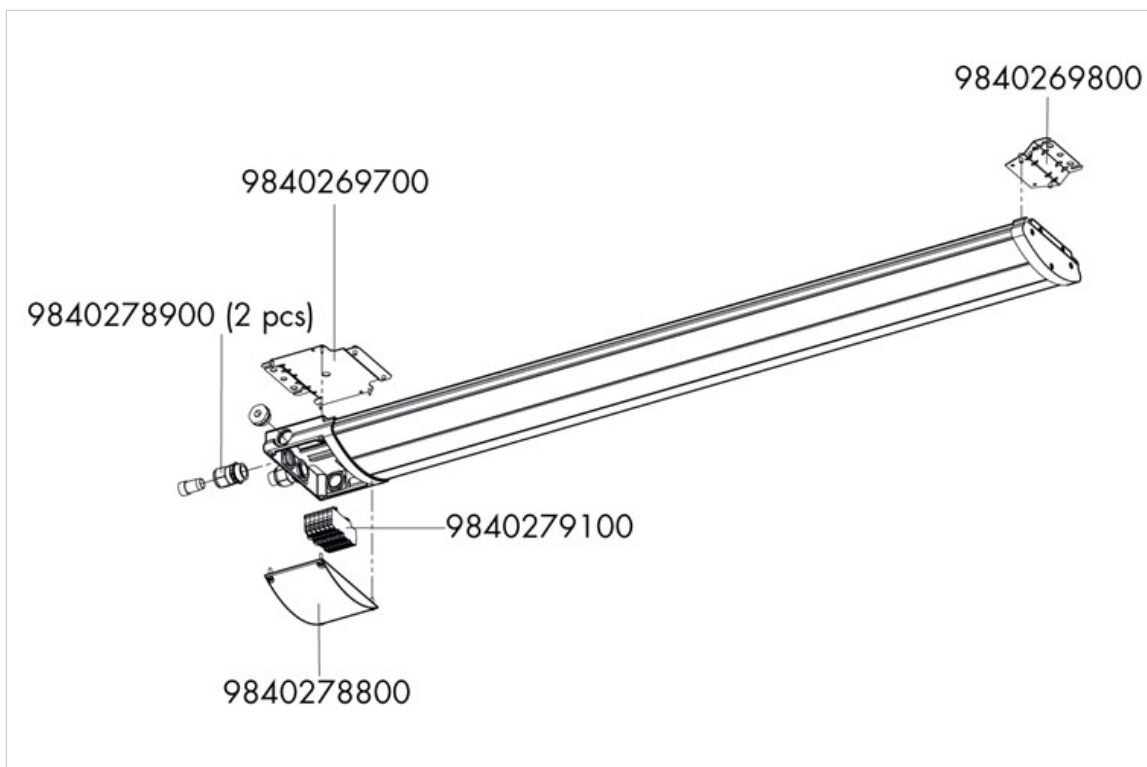
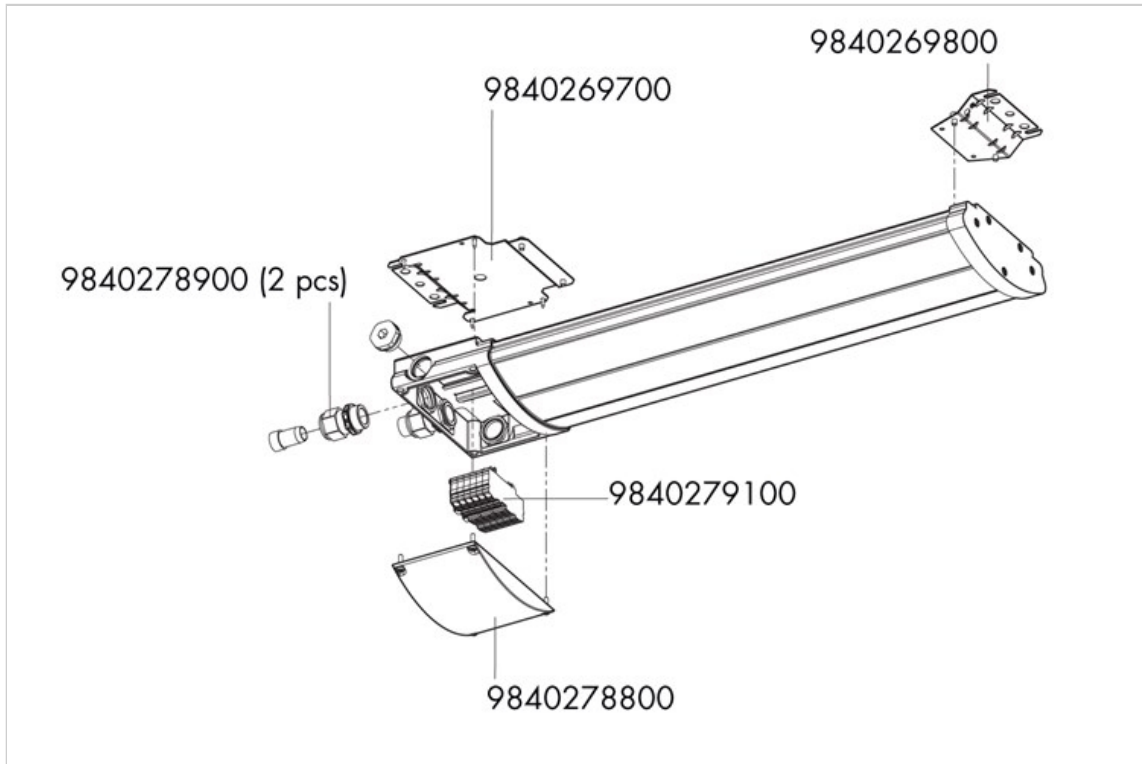
Light measurement drawings



TX60 LED

Innovative zone 1 LED luminaire

Explosion drawings



TX60 LED

Innovative zone 1 LED luminaire

Item description	Item no.	Minimum Voltage -10% (V)	System Lumen Out
TX60 2200 850 230 M25 GL	TX60095000	230	2076
TX60 2200 850 230 M25 AS	TX60095400	230	2076
TX60 2200 850 230 HFE1 M25 GL	TX60195100	230	2076
TX60 2200 850 230 TW M25 GL	TX60195301	230	2076
TX60 4500 850 230 M25 GL	TX60695000	230	4144
TX60 4500 850 230 TW M25 GL	TX60795301	230	4144
TX60 2200 850 230 TW M25 AS	TX60195701	230	2076
TX60 2200 850 230 HFE1 M25 AS	TX60195500	230	2076
TX60 2200 850 230 HFE3 M25 GL	TX60195200	230	2076
TX60 2200 850 230 HFE3 M25 AS	TX60195600	230	2076
TX60 4500 850 230 M25 AS	TX60695400	230	4144
TX60 4500 850 230 TW M25 AS	TX60795701	230	4144
TX60 4500 850 230 HFE1 M25 AS	TX60795500	230	4144
TX60 4500 850 230 HFE3 M25 GL	TX60795200	230	4144
TX60 4500 850 230 HFE3 M25 AS	TX60795600	230	4144
TX60 2200 850 230 TW M25/M20 BN AS	TX60195731	230	2076
TX60 2200 850 230 TW M25/M20 BN GL	TX60195331	230	2076
TX60 4500 850 230 TW M25/M20 BN GL	TX60795331	230	4144
TX60 4500 850 230 HFE1 M25 GL	TX60795100	230	4144
TX60 4500 850 230 TW M25/M20 BN AS	TX60795731	230	4144
TX60 2200 850 230 HFE3 M25 BN GL	TX60195210	230	2076
TX60 2200 850 230 HFE3 M25 BN AS	TX60195610	230	2076
TX60 4500 850 230 HFE3 M25 BN AS	TX60795610	230	4144
TX60 4500 850 230 TW M25 BN AS	TX60795711	230	4144
TX60 2200 850 230 TW M25 BN AS	TX60195711	230	2076
TX60 2200 850 120 TW M25 BN AS	TX60185711	120	2076
TX60 2200 850 120 HFE1 M25 BN AS	TX60185510	120	2076
TX60 4500 850 120 HFE1 M25 BN AS	TX60785510	120	4144
TX60 4500 850 120 M25 BN AS	TX60685410	120	4144
TX60 4500 850 120 M25 BN GL	TX60685010	120	4144
TX60 4500 850 120 HFE3 M25 BN AS	TX60785610	120	4144
TX60 4500 850 120 HFE1 M25 BN GL	TX60785110	120	4144
TX60 4500 850 120 HFE3 M25 BN GL	TX60785210	120	4144
TX60 2200 850 120 HFE3 M25 BN AS	TX60185610	120	2076
TX60 2200 850 120 HFE1 M25 BN GL	TX60185110	120	2076
TX60 2200 850 120 HFE3 M25 BN GL	TX60185210	120	2076
TX60 2200 850 120 TW M25 BN GL	TX60185311	120	2076
TX60 4500 850 120 TW M25/M20 BN GL	TX60785331	120	4144
TX60 4500 850 120 TW M25/M20 BN AS	TX60785731	120	4144
TX60 4500 850 230 HFE1 M25 BN GL	TX60795150	230	4144
TX60 2200 850 230 HFE1 M25 BN GL	TX60195150	230	2076
TX60 4500 850 230 M25 BN GL	TX60695050	230	4144
TX60 2200 850 230 M25 BN GL	TX60095050	230	2076
TX60 2200 850 120 M25 GL	TX60085000	120	2076
TX60 2200 850 120 M25 AS	TX60085400	120	2076
TX60 4500 850 230 TW3 M25 L AS	TX60995701	230	4144
TX60 4500 850 230 HFE1 TW3 M25 L AS	TX60995500	230	4144
TX60 4500 850 230 HFE3 TW3 M25 L AS	TX60995600	230	4144

TX60 LED

Innovative zone 1 LED luminaire

TX60 2200 850 230 HFE3 TW3 M25 L AS	TX60395600	230	2076
TX60 2200 850 230 HFE1 TW3 M25 L AS	TX60395500	230	2076
TX60 2200 850 230 TW3 M25 BN L AS	TX60395702	230	2076
TX60 4500 850 230 TW3 M25 BN L AS	TX60995702	230	4144
TX60 4500 850 230 HFE1 TW3 M25 L 0° AS	TX60945500	230	4144
TX60 2200 850 230 HFE1 TW3 M25 L 0° AS	TX60345500	230	2076