

# TX61 LED

Innovative zone 2 LED luminaire



TX61 2200lm



TX61 2200lm with  
end brackets



TX61 4500lm

# TX61 LED

## Innovative zone 2 LED luminaire

### Description

TX61's low building profile along with its slim and elegant design makes it the best solution for Zone 2/22 areas. The robust TX61 watertight LED luminaire is part of a complete range of lighting equipment designed for use in hazardous areas. TX61 is designed for Zone 2 and 22 according to EN 60079. The luminaire is ideally suited for onshore and offshore oil and gas, marine environment and other potentially explosive industrial environments.

### Long system lifetime and excellent heat management

The design housing has an optimal heat management. We can achieve a long system lifetime due to our Aluminium heat conductance ability. The TX61 is constructed to meet its challenges and is designed for a rated lifetime of 100,000 hours at Ta45°C ambient temperature.

### Water ingress protection

The combination of LED technology, heat sink and limited gasket length eliminates system breathing when switching off the luminaire. This reduces exposure for water ingress and subsequent earth faults. The design of the body and diffuser ensures the ingress rating of IP66 and IP67.

### Corrosion free

The body is made of Seawater resistant aluminium. Brackets and accessories are made of stainless steel (316L) to avoid corrosion. The TX61 minimise the temperature difference between the outside and the inside of the luminaries.

### Health and safety

A working environment with high visual comfort and performance is one of the most important factors for the personnel to be safe and productive. The TX61 fulfils the requirements for good lighting practice and safe working environment (EN12464-1/2), and meets international standards for glare.

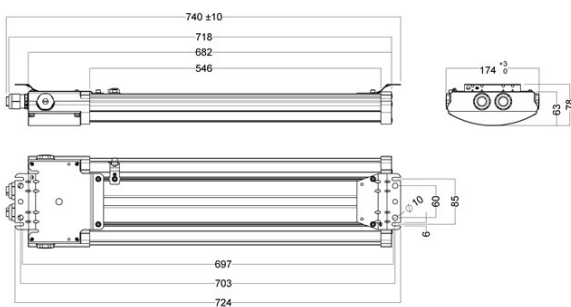
# TX61 LED

## Innovative zone 2 LED luminaire

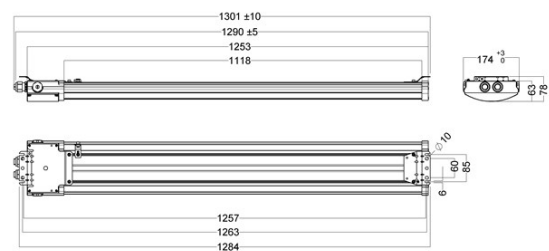
### Technical description

<b>Mounting</b>	Mounted to the ceiling or cable trays by screws. Different screwed mounting brackets, shock mounts or triangles are available, mounting distance adjustable	<b>Application</b>	For all zone 2 areas in onshore and offshore demanding applications.
<b>Connection</b>	Connection box with 2 certified cable entry M25 polyamide D10-17mm and blind plugs M25 polyamide. Terminals for 6 mm <sup>2</sup> core diameter	<b>Design</b>	According to rules of maritime classification societies, additional according to VDE and IEC/EN
<b>Electric</b>	Flexible wiring heat resistant up to 105°C. Versions with through wiring are available. High quality zone 2 driver 220V-240V 50/60Hz	<b>Ambient Temperature</b>	Operation from -25°C up to +50°C
<b>Housing</b>	Seawater resistant, anodized aluminium housing	<b>Finish</b>	Grey anodized
<b>Lightsource/Optic</b>	Designed in two length with 2200 or 4500 lumen output from the fixture, Led's are covered by soft opallic polycarbonate diffuser.		

### Measurement drawings



Example for TX61 2200 GL

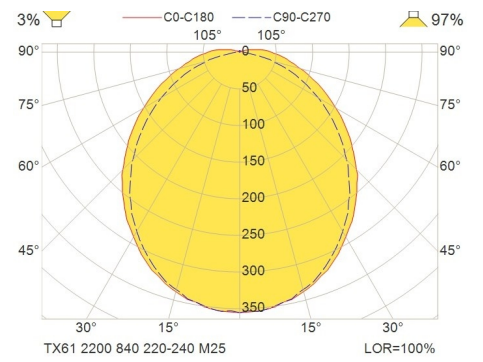
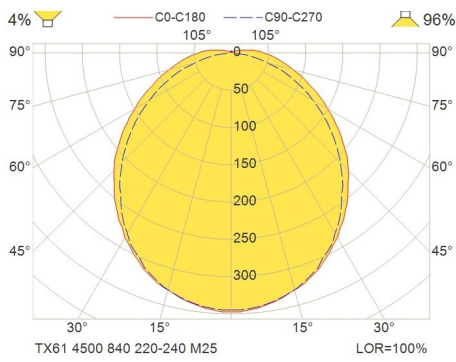


Example for TX61 4500 GL

# TX61 LED

Innovative zone 2 LED luminaire

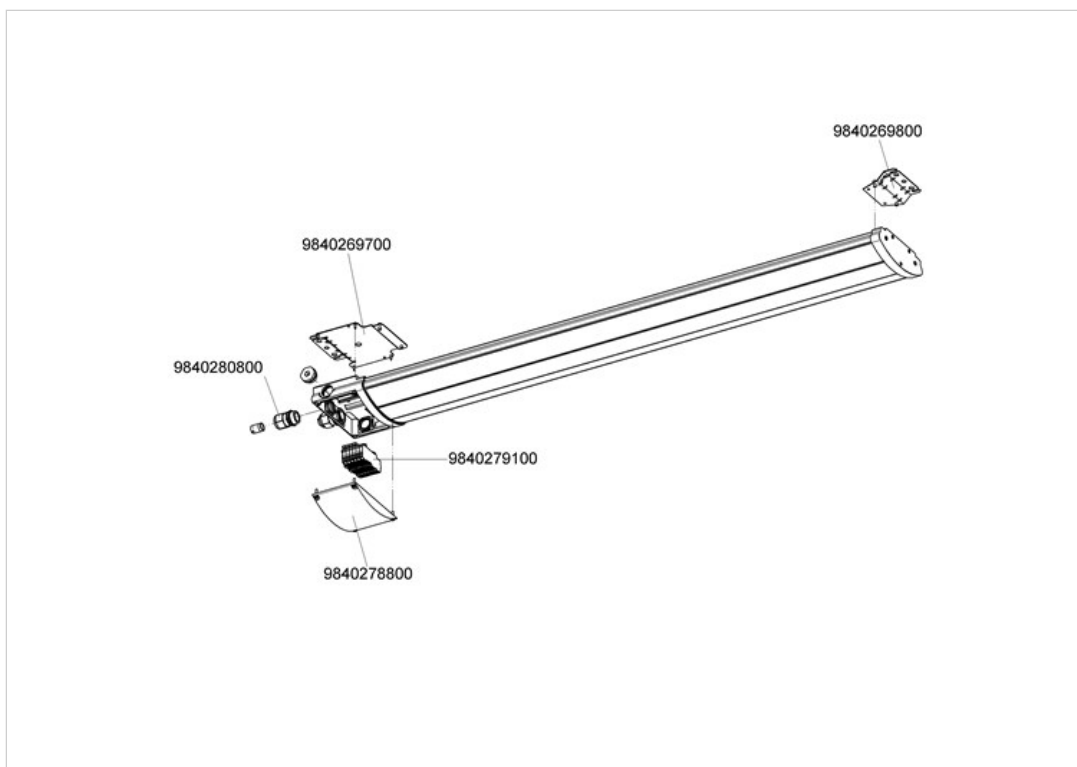
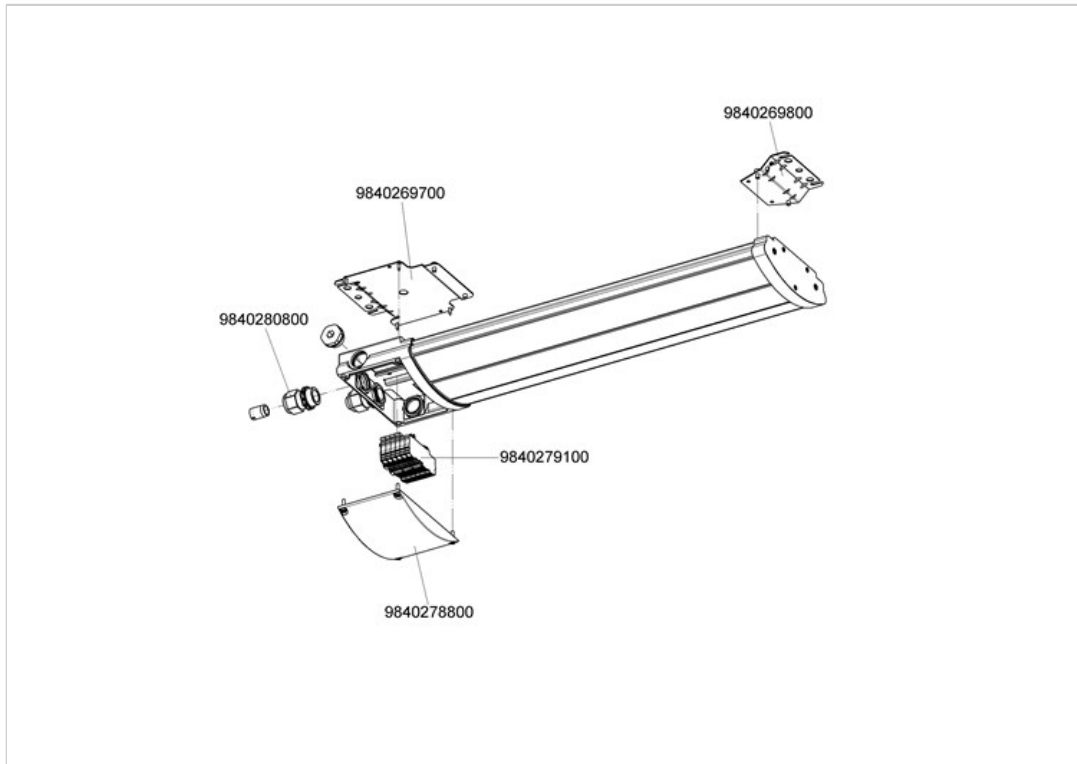
## Light measurement drawings



# TX61 LED

## Innovative zone 2 LED luminaire

### Explosion drawings



# TX61 LED

## Innovative zone 2 LED luminaire

Item description	Item no.	Minimum Voltage -10% (V)	System Lumen Out
TX61 4500 840 220-240 M25 TW AS	TX61724701	220	4515
TX61 4500 840 220-240 M25 TW GL	TX61724301	220	4515
TX61 4500 840 220-240 M25 AS	TX61724400	220	4515
TX61 2200 840 220-240 M25 AS	TX61424400	220	2220
TX61 2200 840 220-240 M25 TW GL	TX61424301	220	2220
TX61 4500 840 220-240 M25 GL	TX61724000	220	4515
TX61 2200 840 220-240 M25 TW AS	TX61424701	220	2220
TX61 2200 840 220-240 M25 GL	TX61424000	220	2220
TX61 2200 850 230 HFE1 M25 0° GL	TX61624100	230	2220
TX61 2200 850 230 HFE3 M25 0° GL	TX61624200	230	2220
TX61 2200 850 230 HFE1 M25 0° AS	TX61624500	230	2220
TX61 2200 840 220-240 M25 BN AS	TX61424402	220	2220
TX61 4500 840 220-240 M25 BN AS	TX61724402	220	4515
TX61 2200 840 220-240 8XM20-PLUGS TW AS	TX61424702	220	2220
TX61 4500 840 220-240 M20-PLUG TW AS	TX61724702	220	4515
TX61 2200 850 230 HFE3 M25 0° AS	TX61624600	230	2220
TX61 4500 850 230 HFE1 M25 0° GL	TX61924100	230	4515
TX61 4500 850 230 HFE3 M25 0° GL	TX61924200	230	4515
TX61 4500 850 230 HFE1 M25 0° AS	TX61924500	230	4515
TX61 4500 850 230 HFE3 M25 0° AS	TX61924600	230	4515