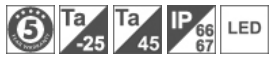


TL50 LED

Innovative watertight LED luminaire



Description

The innovative LED outdoor lighting fixtures are applicable for a wide range of different areas, e.g. workshops, stores, passage ways etc.

They are designed to meet maritime requirements and to save energy and maintenance cost due to extreme long lifetime.

The combination of material and design assures an excellent heat management and therefore a long lifetime.

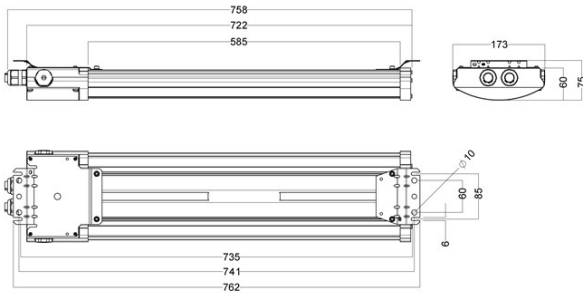
TL50 LED

Innovative watertight LED luminaire

Technical description

Mounting	Mounted to the ceiling or cable trays by: screws, different screwed mounting brackets, shock mounts or triangles are available. Mounting distance adjustable	Application	For areas like car decks, open decks, and other demanding applications such as extreme weather conditions at sea
Connection	Connection box with cable entry 2xM25x1.5 polyamide D7-17mm and blind plugs 2xM25x1.5 polyamide Terminal 3-pole/4 mm ²	Design	According to rules of maritime classification societies, additional VDE and IEC/EN
Electric	Flexible wiring heat resistant up to 105°C Versions for emergency with 3 hours battery backup (Ta40°C) available	Ambient Temperature	Operation from -25°C up to +45°C in standard version
Housing	Seawater resistant, galvanized aluminium housing	Finish	Grey anodized
Lightsource/Optic	Designed in two length with 2200 or 4500 lumen output from the fixture, Led's are covered by opalic polycarbonate diffuser		

Measurement drawings

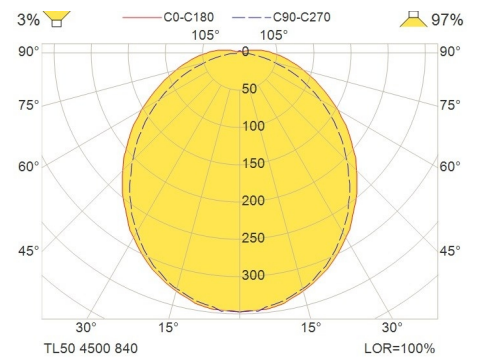
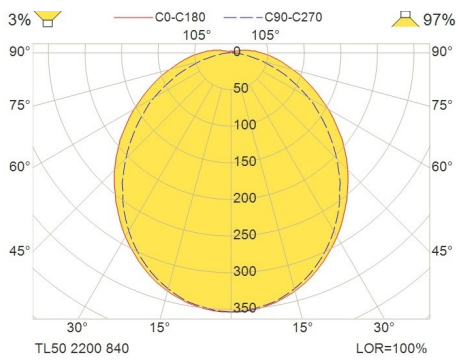


Further drawings see on item level

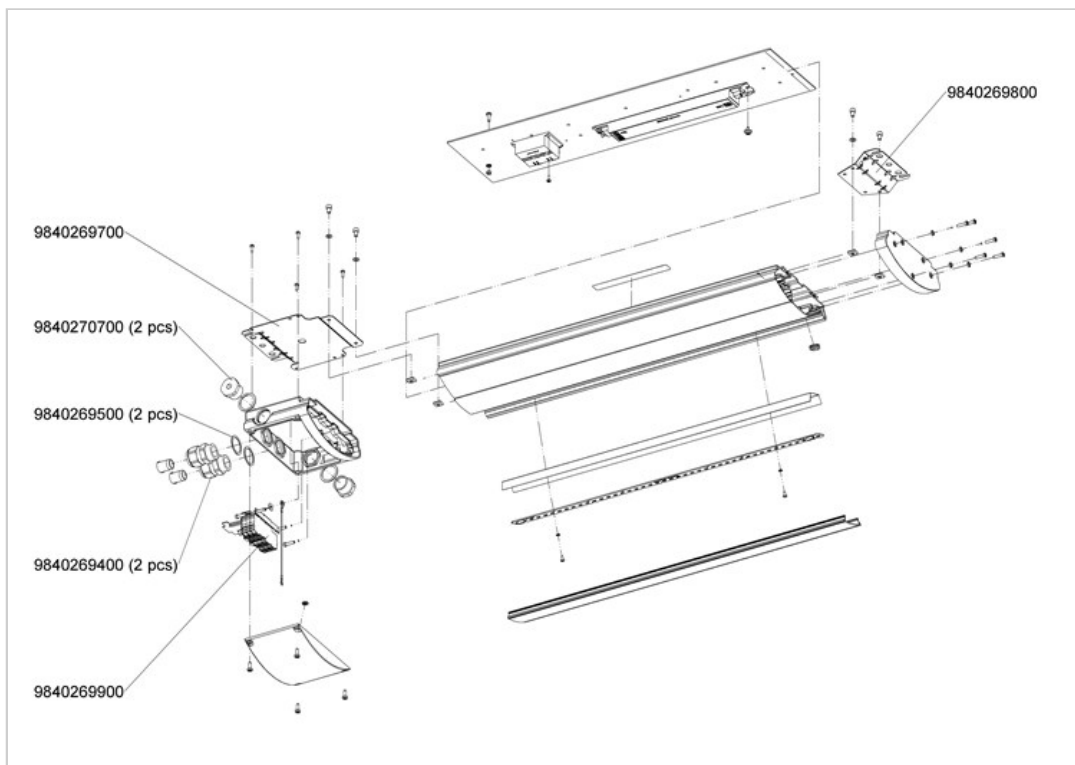
TL50 LED

Innovative watertight LED luminaire

Light measurement drawings



Explosion drawings



TL50 LED

Innovative watertight LED luminaire

Item description	Item no.	Minimum Voltage -10% (V)	Total consumption (W)	Light source	System Lumen Out	Body material
TL50 2200 840 220-240 1XM25 AS	TL50124400	220	19	LED White	2240	Aluminium seawater resistant
TL50 4500 840 220-240 1XM25 AS	TL50624400	220	35	LED White	4590	Aluminium seawater resistant
TL50 2200 840 220-240 2XM25 TW AS	TL50124700	220	19	LED White	2240	Aluminium seawater resistant
TL50 4500 840 220-240 2XM25 TW AS	TL50624700	220	35	LED White	4590	Aluminium seawater resistant
TL50 2200 840 220-240 1XM25 GL	TL50124000	220	19	LED White	2240	Aluminium seawater resistant
TL50 4500 840 220-240 1XM25 GL	TL50624000	220	35	LED White	4590	Aluminium seawater resistant
TL50 2200 840 220-240 2XM25 GL	TL50124001	220	19	LED White	2240	Aluminium seawater resistant
TL50 4500 840 220-240 2XM25 GL	TL50624001	220	35	LED White	4590	Aluminium seawater resistant
TL50 800 840 24 M25 AS	TL50074400	24	7	LED White	802	Aluminium seawater resistant
TL50 800 840 24 M25 GL	TL50074000	24	7	LED White	802	Aluminium seawater resistant
TL50 1000 840 220-240 M25 GL	TL50024000	220	12	LED White	1348	Aluminium seawater resistant
TL50 1000 840 220-240 M25 AS	TL50024400	220	12	LED White	1348	Aluminium seawater resistant
TL50 1000 840 220-240 QW GL	TL50024800	220	12	LED White	1348	Aluminium seawater resistant
TL50 1000 840 220-240 QW AS	TL50024900	220	12	LED White	1348	Aluminium seawater resistant